

Duct Type Distribution

Where an existing duct system is available, steam is commonly discharged into the duct through a dispersion tube. Selection of the dispersion tube should meet the duct requirements in Table 146-1. If the steam dispersion tube is to be located below the humidifier, install a drip leg with water seal. (See Figure 147-2, Page 147).

Note: For all atmospheric units: Please contact factory for duct applications offering high static pressure (>4" W.C.) or velocities over 2,000 FPM. Avoid placing dispersion tubes in downward, high-velocity airflow. Please contact your local Armstrong representative with questions.

Note: When applicable, atmospheric humidifiers should be located as close to the air handling system as possible and never more than 40 feet of equivalent pipe away.

Figure 146-1. Dispersion Tube

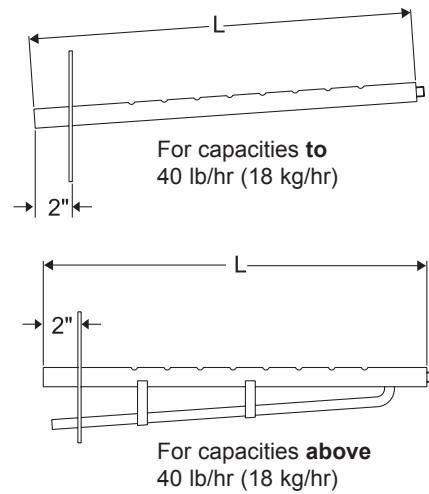


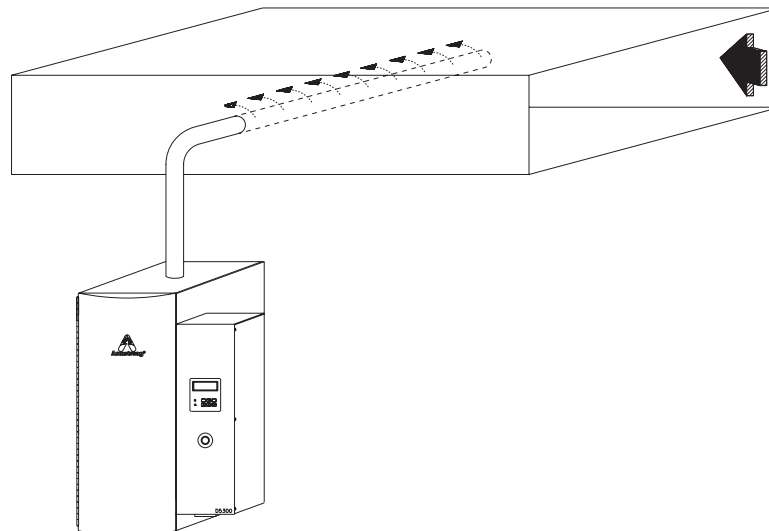
Table 146-1. Selecting Proper Steam Distribution Tube

Steam Dispersion Tube Model No.		Steam Dispersion Tube Length		Duct Width				Weight	
				Min		Max.			
"D" Type	"DL" Type	in	mm	in	mm	in	mm	lb	kg
D-1	DL-1	12	304	11	279	16	406	3	1.4
D-1.5	DL-1.5	18	457	17	432	22	559	3	1.4
D-2	DL-2	24	609	23	584	34	864	4	2
D-3	DL-3	36	914	35	889	46	1168	6	3
D-4	DL-4	48	1219	47	1194	58	1473	8	3.6
D-5	DL-5	60	1524	59	1499	70	1778	9	4
D-6	DL-6	72	1829	71	1803	82	2083	10	4.5
D-7	DL-7	84	2133	83	2108	94	2388	11	5
D-8	DL-8	96	2438	95	2413	106	2693	12	5.5
D-9	DL-9	108	2743	107	2718	118	2998	13	6
D-10	DL-10	120	3048	119	3023	130	3302	14	6.4

"D" type dispersion tubes are used with Series EHU-700.

"DL" type dispersion tubes are used with Series HC-6000 HumidiClean, Series GFH Gas Fired HumidiClean and all Steam-to-Steam Models.

Figure 146-2. HC-6100 or 6300 Duct Type Distribution



Designs, materials, weights and performance ratings are approximate and subject to change without notice. Visit armstronginternational.com for up-to-date information.

Dispersion Options for Atmospheric Steam Generators



Figure 147-1. HC-6100 or HC-6300 with Duct Located Below HumidiClean

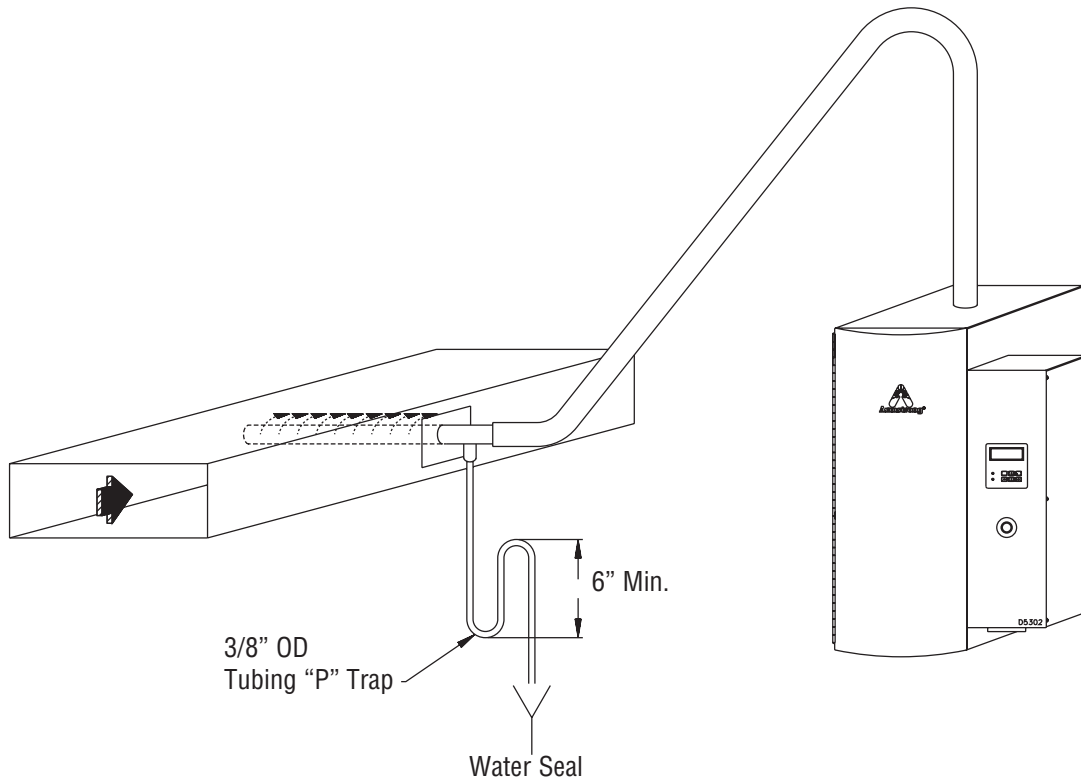
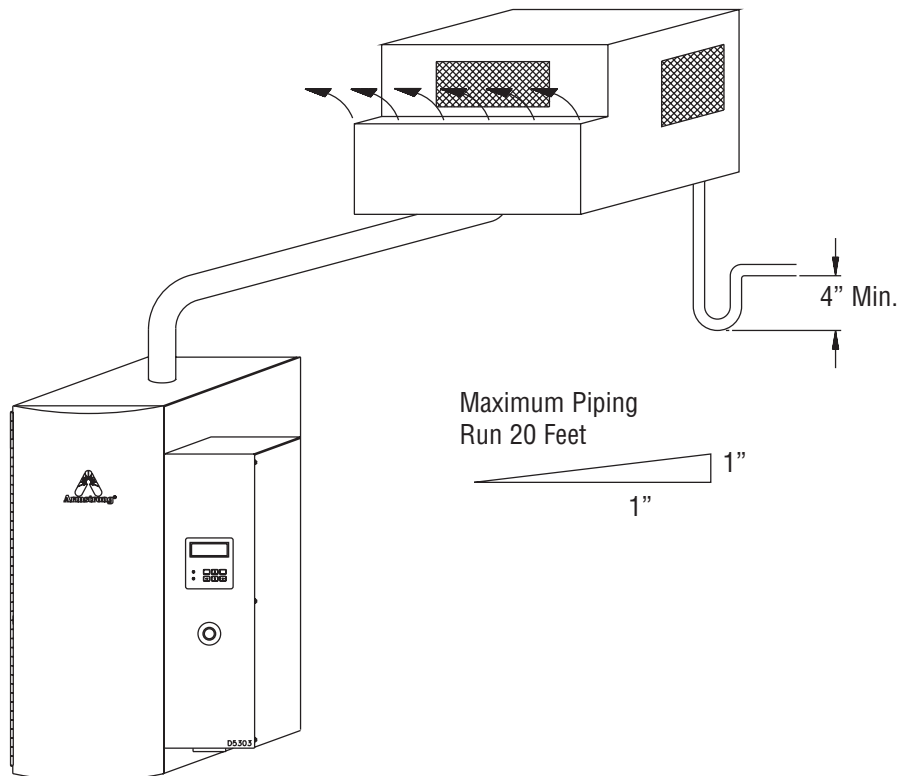


Figure 147-2. HC-6100 or HC-6300 with EHF-3 Fan Package Mounted on Wall



Designs, materials, weights and performance ratings are approximate and subject to change without notice. Visit armstronginternational.com for up-to-date information.

Figure 148-1. HC-6100 or HC-6300 HumidiClean Piped to HumidiPack

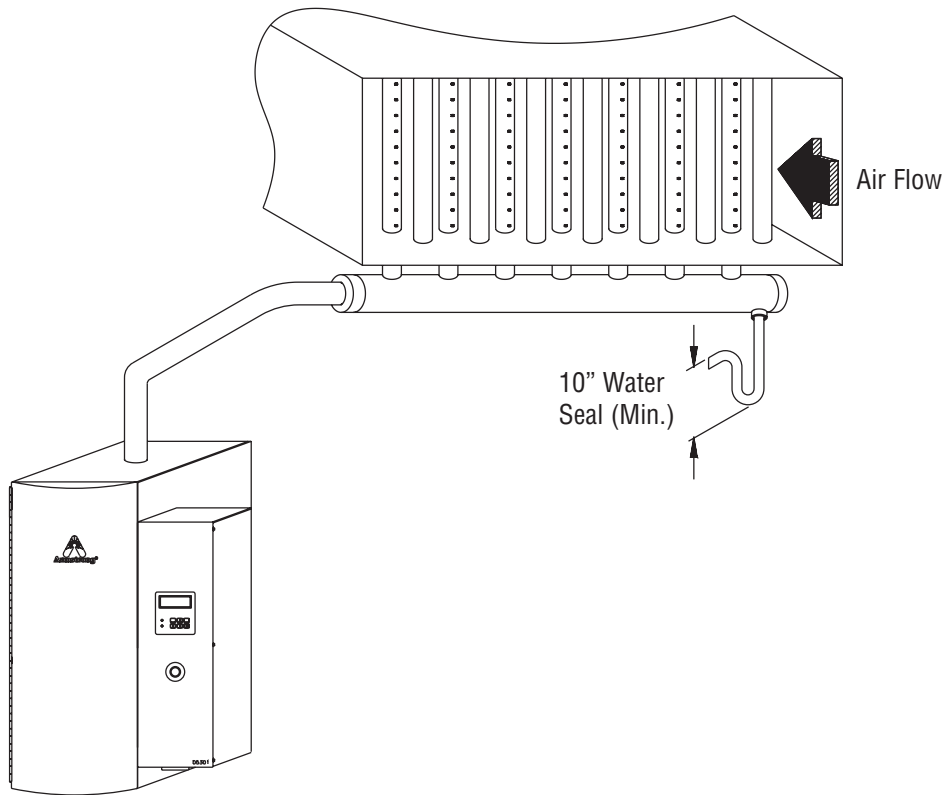


Figure 148-2. HC-6100 or HC-6300 General Installation Concept

