

DIMENSIONS & DATA CERTIFIED FOR:

Representative:

Order:

Customer:

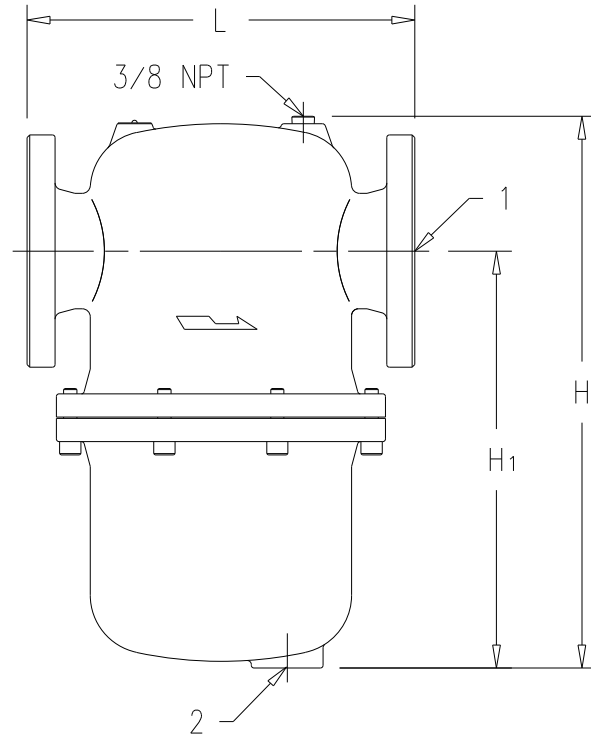
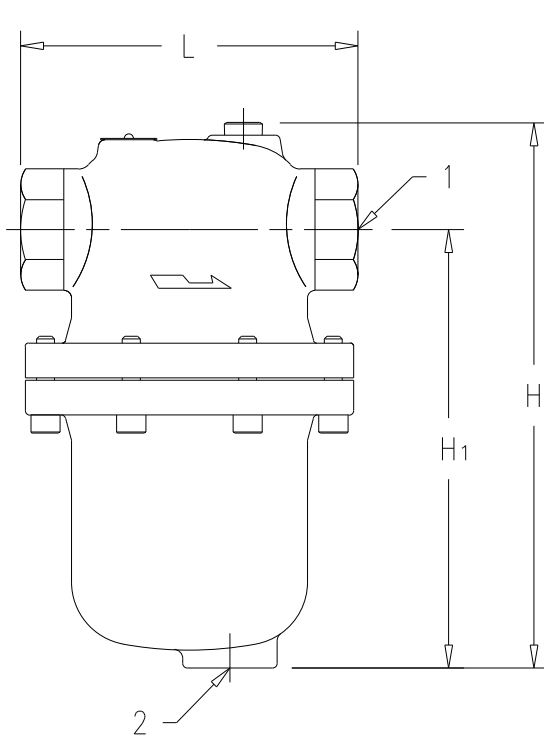
Order:

Project:

Requirements:

By:

Date:



MODEL	1	2	L	H	H ₁	WEIGHT
DS-1	1/2 NPT [15A]	3/4 NPT [20A]	5.91 [150mm]	9.57 [243mm]	7.60 [193mm]	15.7 lbs [7.1 kgs]
	3/4 NPT [20A]	3/4 NPT [20A]	5.91 [150mm]	9.57 [243mm]	7.60 [193mm]	15.7 lbs [7.1 kgs]
	1 NPT [25A]	3/4 NPT [20A]	5.91 [150mm]	9.57 [243mm]	7.60 [193mm]	16.1 lbs [7.3 kgs]
	1-1/4 NPT [32A]	1 NPT [25A]	7.48 [190mm]	11.10 [282mm]	8.39 [213mm]	27.6 lbs [12.5 kgs]
	1-1/2 NPT [40A]	1 NPT [25A]	7.48 [190mm]	11.10 [282mm]	8.39 [213mm]	27.6 lbs [12.5 kgs]
	2 NPT [50A]	1 NPT [25A]	8.62 [219mm]	13.46 [342mm]	10.24 [260mm]	45.2 lbs [20.5 kgs]
DS-2 (150#)	2-1/2 [65A]	1 NPT [25A]	11.50 [292mm]	16.46 [418mm]	12.36 [314mm]	77.2 lbs [35.0 kgs]
	3 [80A]	1-1/4 NPT [32A]	13.50 [343mm]	19.06 [484mm]	14.21 [361mm]	99.2 lbs [45.0 kgs]
	4 [100A]	1-1/4 NPT [32A]	15.83 [402mm]	23.39 [594mm]	17.52 [445mm]	143.3 lbs [65.0 kgs]
DS-2 (300#)	2-1/2 [65A]	1 NPT [25A]	11.93 [303mm]	16.46 [418mm]	12.36 [314mm]	77.2 lbs [35.0 kgs]
	3 [80A]	1-1/4 NPT [32A]	13.02 [356mm]	19.06 [484mm]	14.21 [361mm]	99.2 lbs [45.0 kgs]
	4 [100A]	1-1/4 NPT [32A]	16.46 [418mm]	23.39 [594mm]	17.52 [445mm]	143.3 lbs [65.0 kgs]

MODEL	DS-1	DS-2
NOMINAL SIZE	1/2" to 2" [15A to 50A]	2-1/2" to 4" [65A to 100A]
APPLICATION FLUID	STEAM or AIR	
MAXIMUM PRESSURE	NPT CONN. : 300 PSI 150# FLG: 150 PSI 300# FLG: 300 PSI	
MAX. TEMPERATURE	430°F [221°C]	
BODY	DUCTILE IRON ASTM A536	
NOZZLE	CAST IRON ASTM A48	
RECEIVER	DUCTILE IRON ASTM A536	
CONNECTIONS	THREADED NPT	FLANGED CL. 150/300



ARMSTRONG HOT WATER GROUP
221 Armstrong Boulevard
Three Rivers, MI 49093
Phone No. 1-269-279-3600 Fax 1-269-273-8656
Posted on www.armstronginternational.com

<p>DRAIN SEPARATOR MODELS DS-1 and DS-2</p>	Date 8/17/04	Rev. C
	Drawing No. CDY 1102	