

# DIMENSIONS & DATA CERTIFIED FOR:

Representative:

Order:

Customer:

Order:

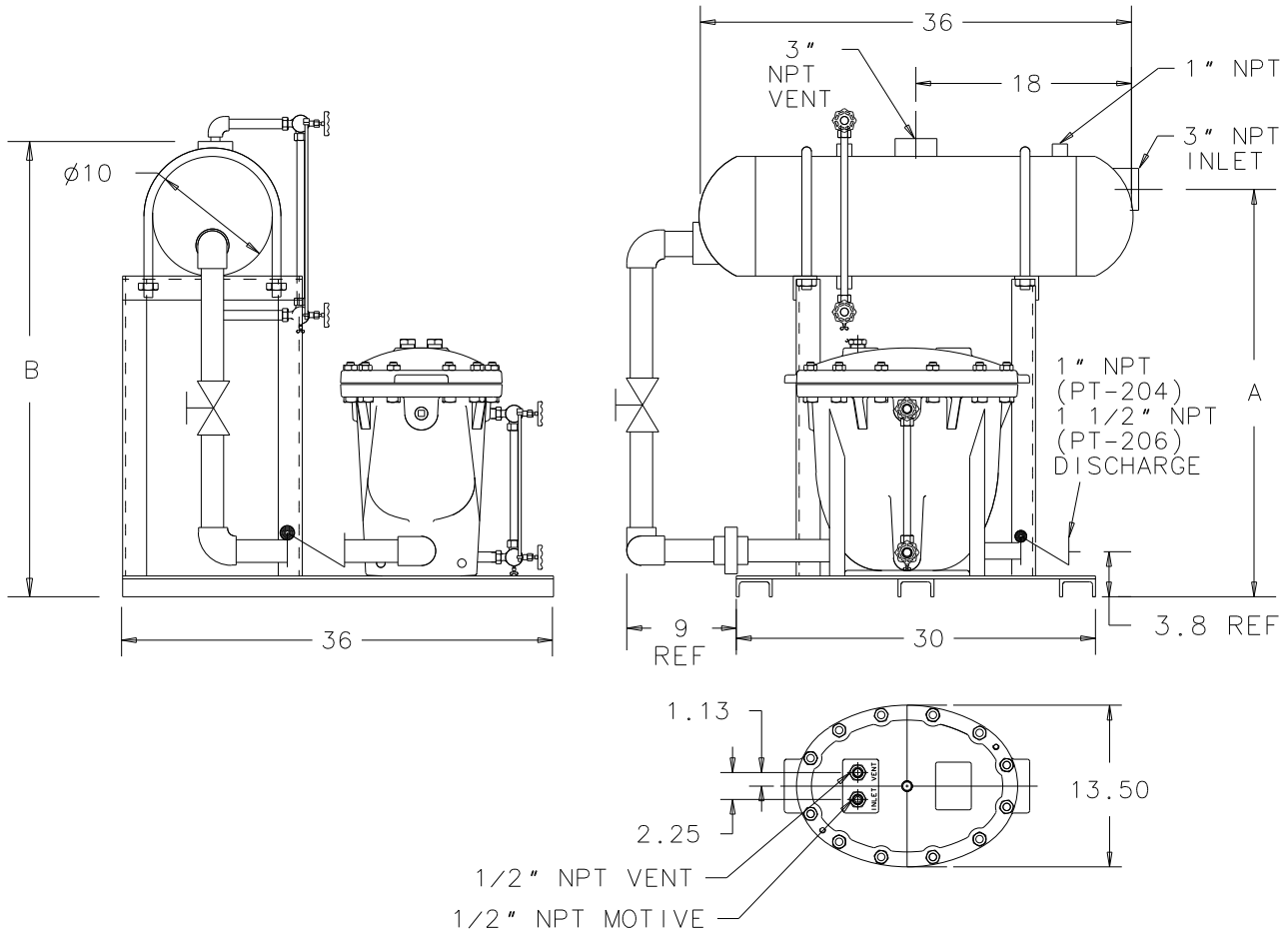
Project:

Requirements:

By:


Date:

DIMENSION	A	B
0" FILL HEAD	28	32
6" FILL HEAD	34	38
12" FILL HEAD	40	44



**NOTES:**

1. DRAWING SHOWS OPTIONAL GAUGE GLASSES.
2. RECEIVER ASME CODE 150 PSIG
3. RECEIVER VOLUME = APPROX. 10 GALLONS
4. SEE DRAWING CDF1038 FOR RECEIVER SIZING
5. FILL HEAD MUST BE SPECIFIED

 Armstrong Condensate Management Group Three Rivers, MI. 49093 Telephone (269) 279-3601 Fax (269) 279-3150 Posted on <a href="http://www.armstronginternational.com">www.armstronginternational.com</a>		
Product	CDF No.	Date
SPT-200LBRP-10	CDF 1073	06/21/06
		Rev. A