

DIMENSIONS & DATA CERTIFIED FOR:

Representative:

Order:

Customer:

Order:

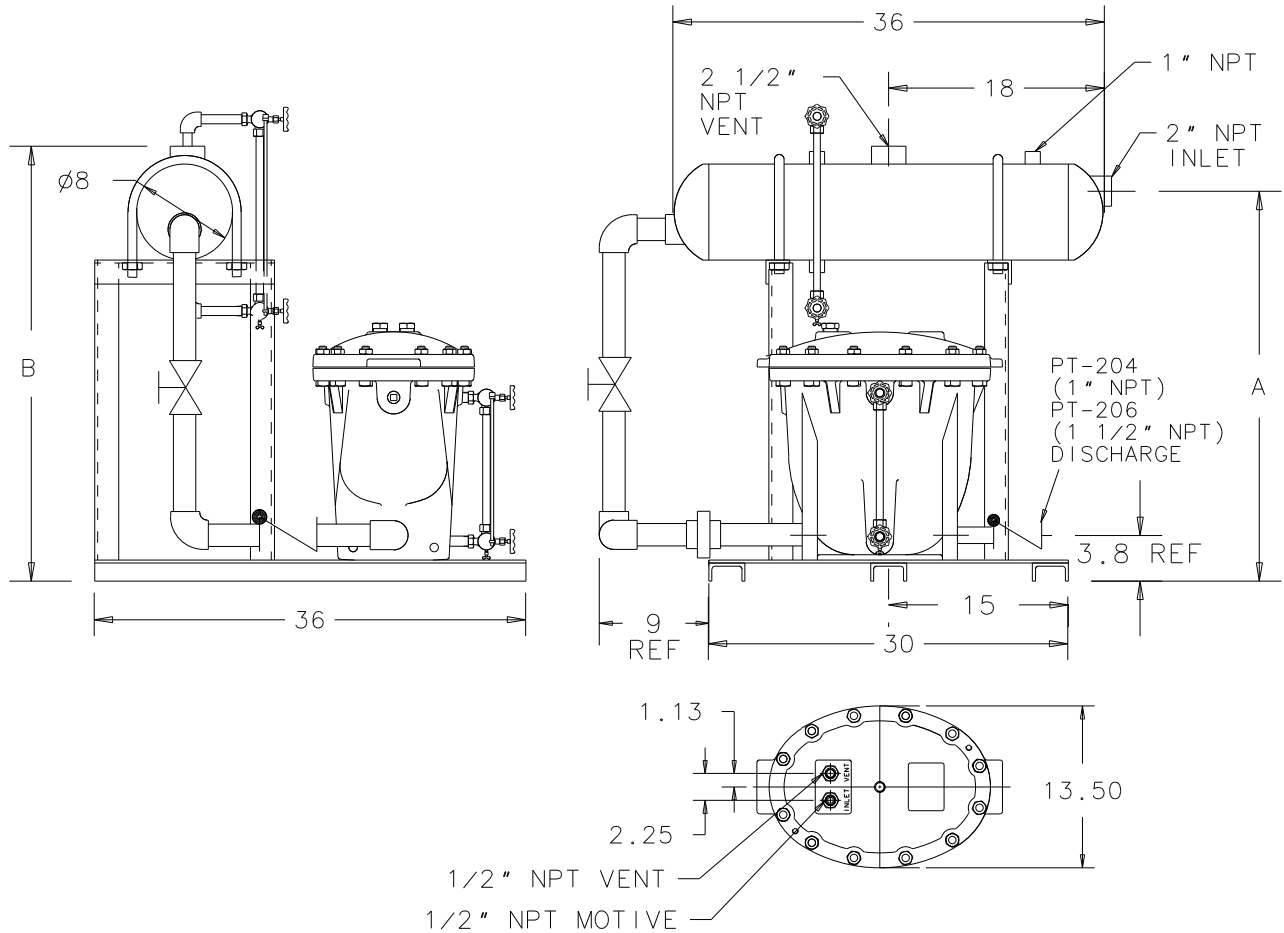
Project:

Requirements:

By:


Date:

DIMENSION	A	B
0" FILL HEAD	26	29
6" FILL HEAD	32	35
12" FILL HEAD	38	41



NOTES:

- DRAWING SHOWS OPTIONAL GAUGE GLASSES.
- RECEIVER ASME CODE 150 PSIG
- RECEIVER VOLUME = APPROX. 7 GALLONS
- SEE DRAWING CDF1038 FOR RECEIVER SIZING
- FILL HEAD MUST BE SPECIFIED



Armstrong Condensate Management Group
Three Rivers, MI. 49093
Telephone (269) 279-3601
Fax (269) 279-3150
Posted on www.armstronginternational.com

Product	CDF No.	Date
SPT-200LBRP-8	CDF 1072	06/21/06
		Rev. A