

# DIMENSIONS & DATA CERTIFIED FOR:

Representative:

Order:

Customer:

Order:

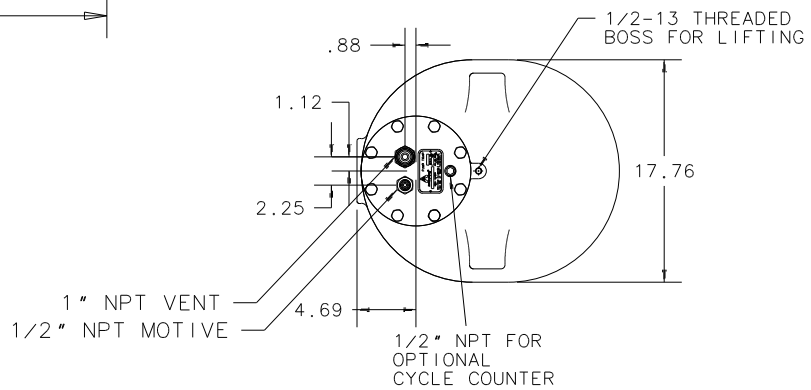
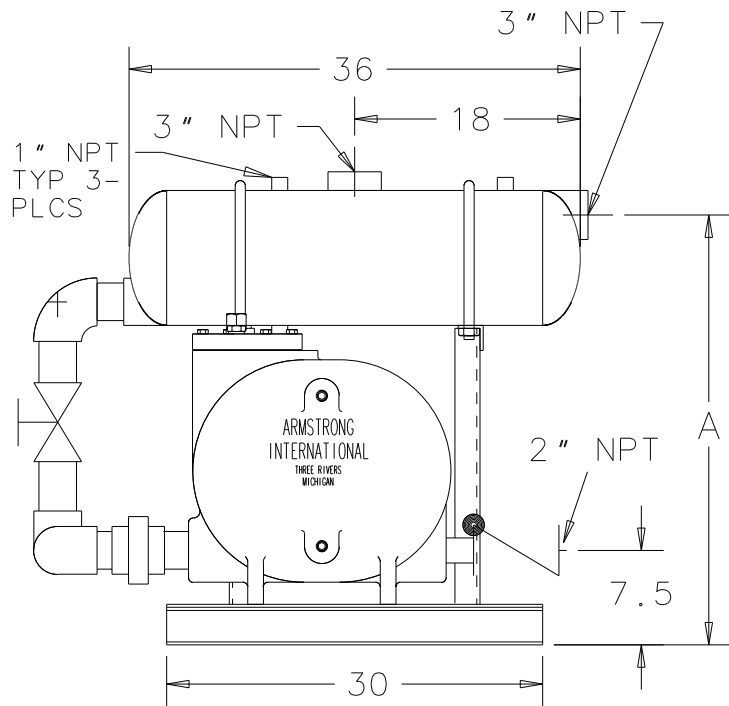
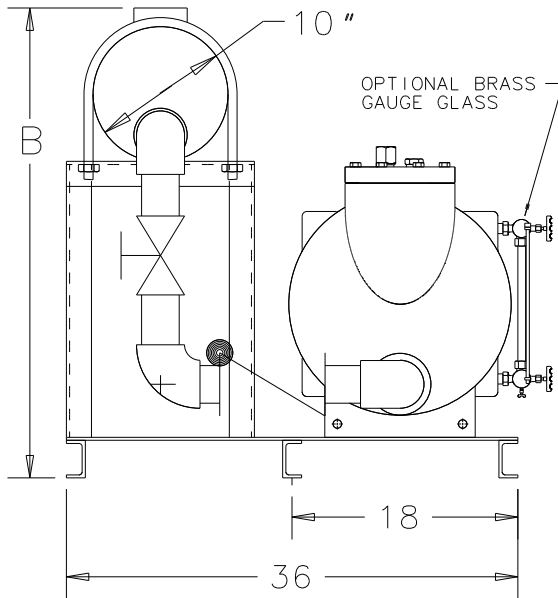
Project:

Requirements:

By:

Date:

DIMENSION	A	B
0" FILL HEAD	34	38
6" FILL HEAD	40	44
12" FILL HEAD	46	50



RECEIVER  
CAPACITY APPROX 10 GALLONS

Armstrong Fluid Handling, Inc.  
Three Rivers, MI. 49093  
Telephone (269) 279-3601  
Fax (269) 279-3150  
Posted on Armstrong's homepage [www.armstrong-intl.com](http://www.armstrong-intl.com)

Product	CDF No.	Date
SPT-3500LBRP LOW BOY PKG	CDF 1042	1/28/03
		Rev. B