

DIMENSIONS & DATA CERTIFIED FOR:

Representative:

Order:

Customer:

Order:

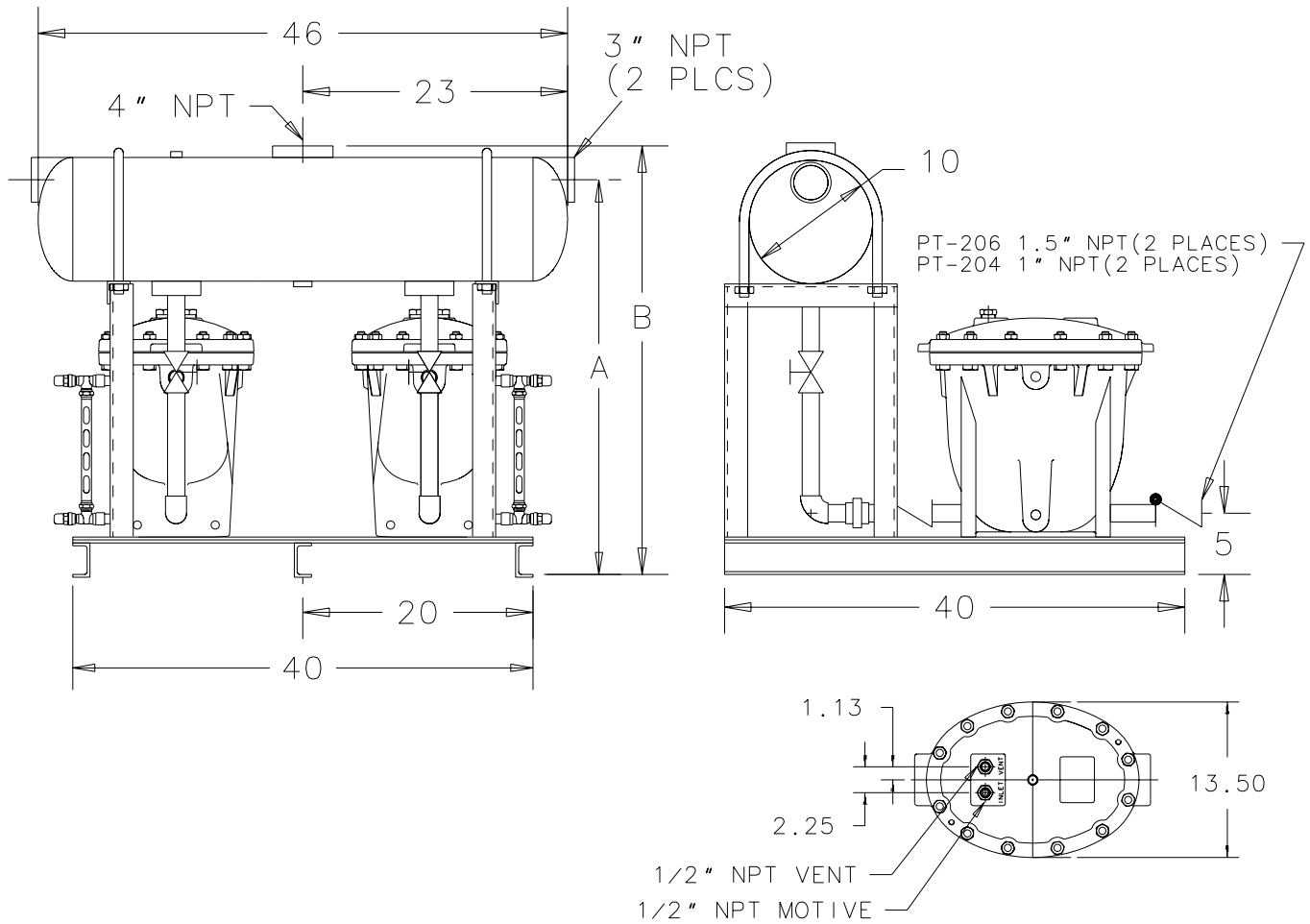
Project:

Requirements:

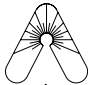
By:

Date:

DIMENSION	A	B
0" FILL HEAD	34	38
6" FILL HEAD	40	44
12" FILL HEAD	46	50



RECEIVER
CAPACITY APPROX. 13 GALLONS
GAUGE GLASS FOR PUMPS OPTIONAL

 Armstrong Fluid Handling, Inc. Three Rivers, MI. 49093 Telephone (269) 279-3601 Fax (269) 279-3150 Posted on Armstrong's homepage www.armstrong-intl.com		
Product	CDF No.	Date
DPT-200LBRP LOW BOY PKG	CDF1036	11/1/02
		Rev. C