

DIMENSIONS & DATA CERTIFIED FOR:

Representative:

Order:

Customer:

Order:

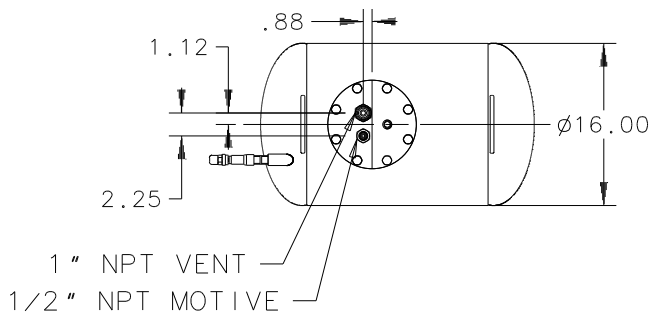
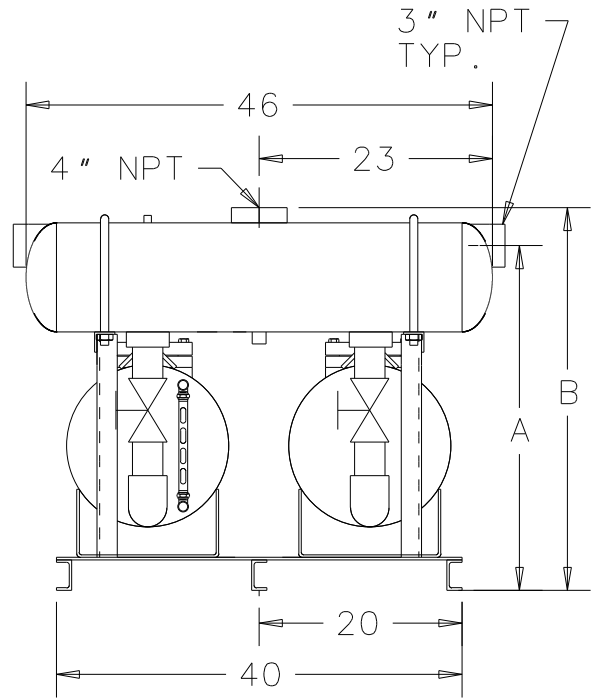
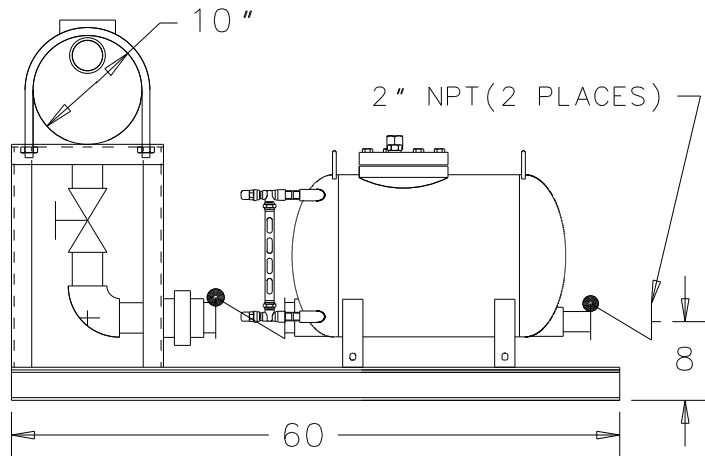
Project:

Requirements:

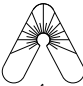
By:

Date:

DIMENSION	A	B
0" FILL HEAD	34	38
6" FILL HEAD	40	44
12" FILL HEAD	46	50



RECEIVER
CAPACITY APPROX. 13 GALLONS

 Armstrong Fluid Handling, Inc. Three Rivers, MI. 49093 Telephone (269) 279-3601 Fax (269) 279-3150 Posted on Armstrong's homepage www.armstrong-intl.com		
Product	CDF No.	Date
DPT-300LBRP LOW BOY PKG	CDF 1035	1/27/03
		Rev. C