

# DIMENSIONS & DATA CERTIFIED FOR:

Representative:

Order:

Customer:

Order:

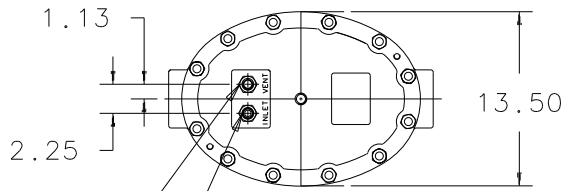
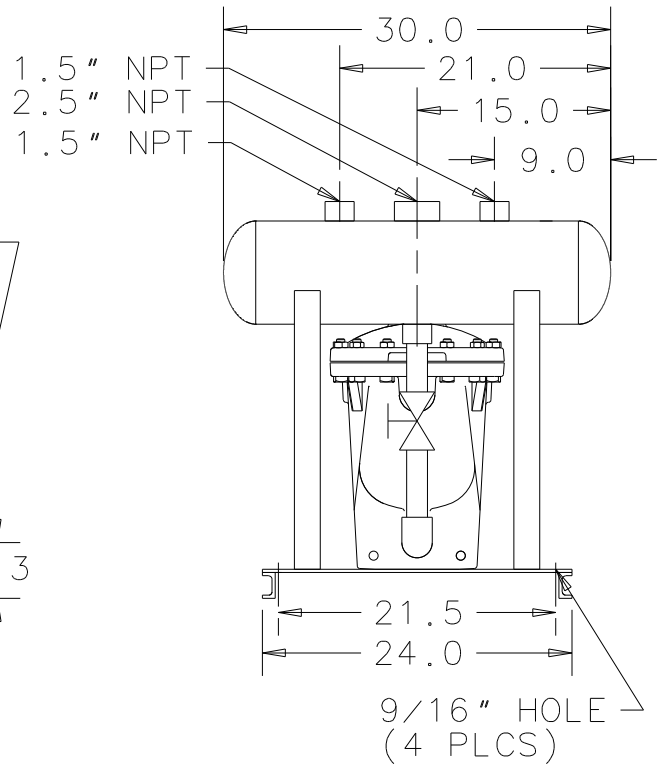
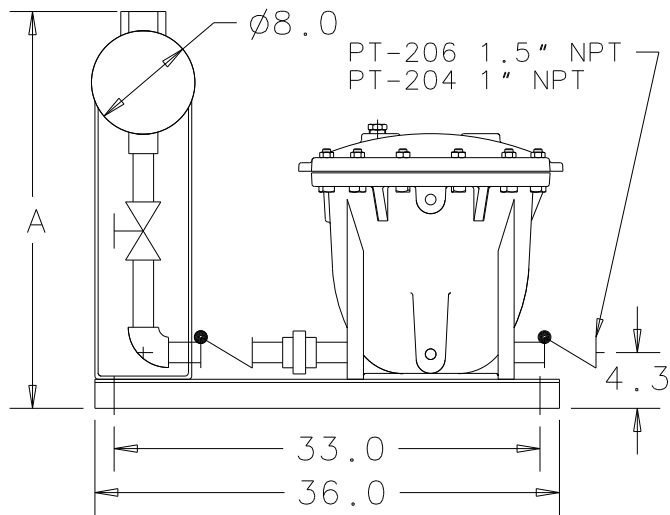
Project:

Requirements:

By:

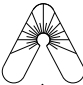
Date:

DIMENSION	A
0" FILL HEAD	30"
6" FILL HEAD	36"
12" FILL HEAD	42"



1/2" NPT VENT  
1/2" NPT MOTIVE

RECEIVER CAPACITY  
APPROX. 6 GALLONS

 Armstrong Fluid Handling, Inc. Three Rivers, MI. 49093 Telephone (269) 279-3601 Fax (269) 279-3150 Posted on Armstrong's homepage <a href="http://www.armstrong-intl.com">www.armstrong-intl.com</a>		
Product	CDF No.	Date
SPT-200LBRP LOW BOY PKG	CDF 1034	1/27/03
		Rev. C