

DIMENSIONS & DATA CERTIFIED FOR:

Representative:

Order:

Customer:

Order:

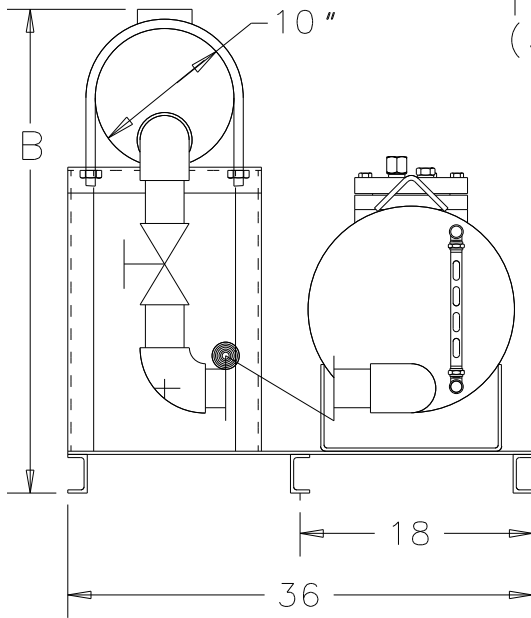
Project:

Requirements:

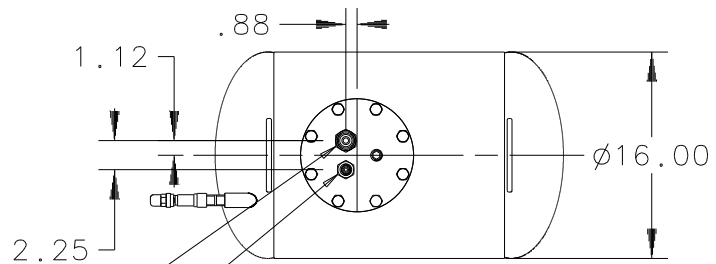
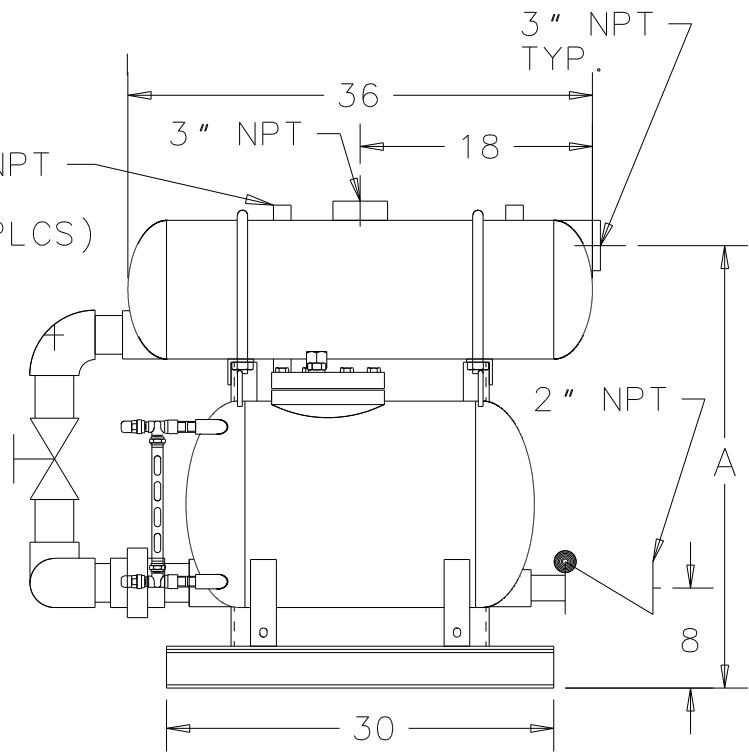
By:

Date:

DIMENSION	A	B
0" FILL HEAD	34	38
6" FILL HEAD	40	44
12" FILL HEAD	46	50



1" NPT TYP. (3-PLCS)



1" NPT VENT
1/2" NPT MOTIVE

RECEIVER
CAPACITY APPROX 10 GALLONS


 Armstrong Fluid Handling, Inc.
 Three Rivers, MI. 49093
 Telephone (269) 279-3601
 Fax (269) 279-3150
 Posted on Armstrong's homepage www.armstrong-intl.com

Product	CDF No.	Date
SPT-300LBRP LOW BOY PKG	CDF 1032	1/27/03
		Rev. C