

DIMENSIONS & DATA CERTIFIED FOR:

Representative:

Order:

Customer:

Order:

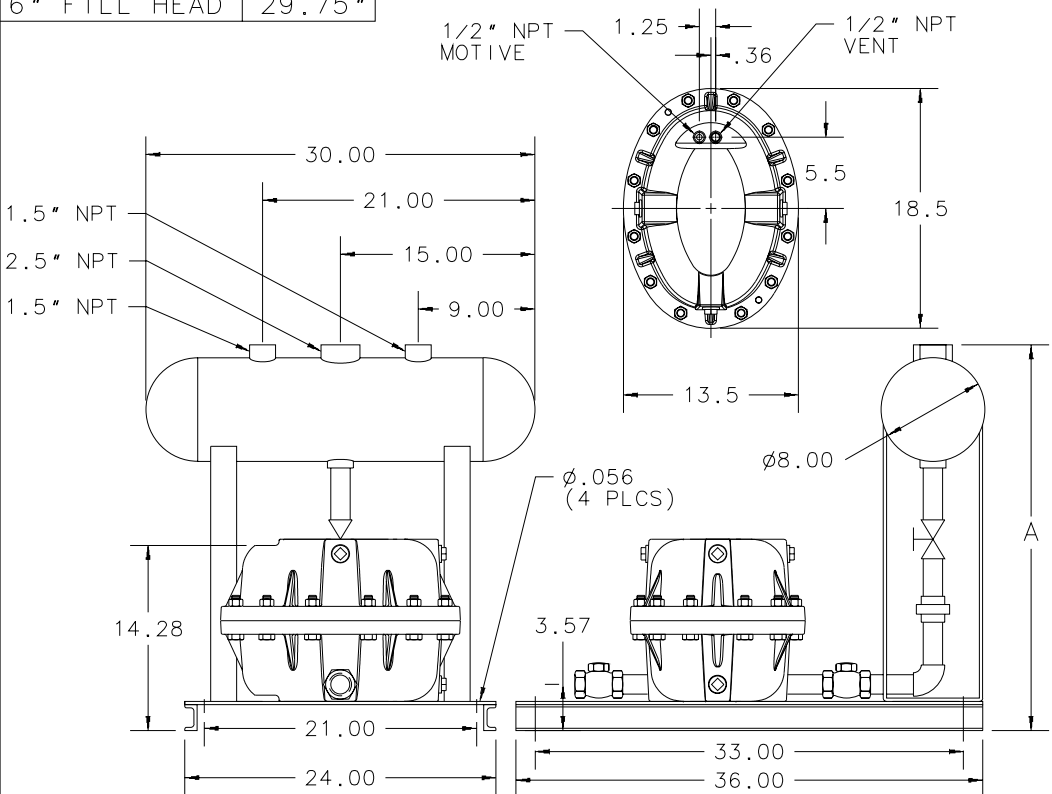
Project:

Requirements:

By:


Date:

DIMENSION	A
0 FILL HEAD	23.75 "
6" FILL HEAD	29.75 "



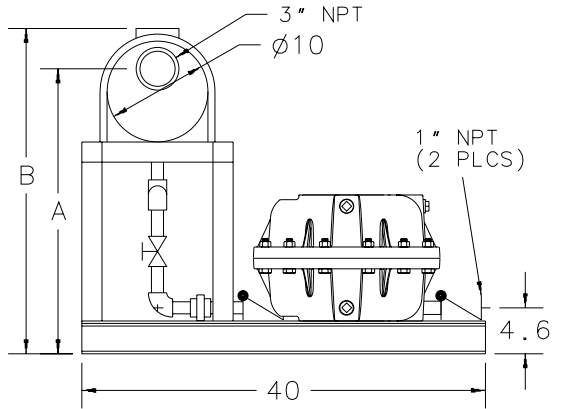
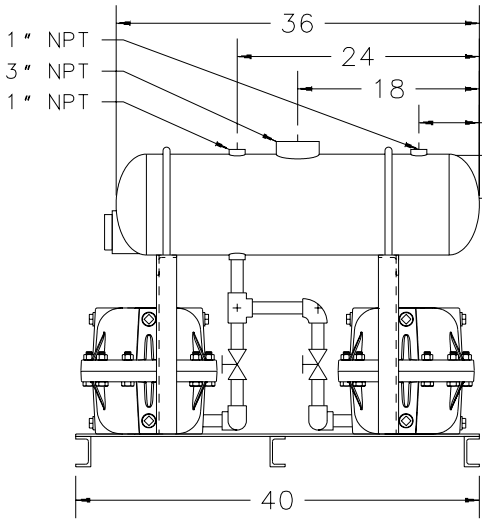
NOTES:

1. RECEIVER CAPACITY: 6 GAL
2. ASME CODED RECEIVER AVAILABLE

 Armstrong Fluid Handling, Inc. Three Rivers, MI. 49093 Telephone (616) 279-3601 Fax (616) 279-3150		
Product	CDF No.	Date
PUMP TRAP SPT/DPT 104RP	CDF 1030	05/18/00
		Rev. B

RECEIVER APPROX 10 GALLONS

DIMENSION	A	B
0" FILL HEAD	22	26
6" FILL HEAD	28	32



LIST OF MATERIALS

NAME OF PART	MATERIAL
Receiver Tank	Carbon Steel
Isolation valves	Bronze ASTM B-62
Check Valves	Bronze ASTM B-62
Piping	Carbon Steel ASTM A120/53
Fittings	Malleable Iron ASTM A197 Grade 150
Body & Cap	Cast Iron ASTM A48 CL 30
Cap Gasket	Compressed Non-Asbestos
Bolts	SA-449 Steel
Inlet Valve Assembly	Stainless Steel
Vent Valve Assembly	Stainless Steel
Valve Assembly Washers	Zinc Plated Steel
Plug	Cast Iron
Mechanism Assembly (including float)	Stainless Steel
Mechanism Springs	Inconel X-750

OPTIONS

- CHECK VALVES: ALL STAINLESS STEEL NON-SLAM
- GAUGE GLASSES: BRASS WITH GUARDS AND REDLINE GLASS FOR PUMPING TRAPS
- INSULATION JACKETS FOR PUMPINT TRAPS: REMOVABLE AND REUSABLE 1" THICK, 11# DENSITY FIBERGLASS MAT WITH JACKETING OF TEFLON COATED FIBERGLASS CLOTH. ALL HARDWARE 304 STAINLESS STEEL.
- DIGITAL CYCLE COUNTER
- PRV STATION


 Armstrong Fluid Handling, Inc.
 Three Rivers, MI. 49093
 Telephone (616) 279-3601
Armstrong Fax (616) 279-3150
 Posted on Armstrong's homepage www.armstrong-intl.com

Product	CDF No.	Date
PUMPING TRAP RECEIVER PACKAGE SPT/DPT 104RP	CDF1030	5/18/00
		Rev. B