

# DIMENSIONS & DATA CERTIFIED FOR:

Representative:

Order:

Customer:

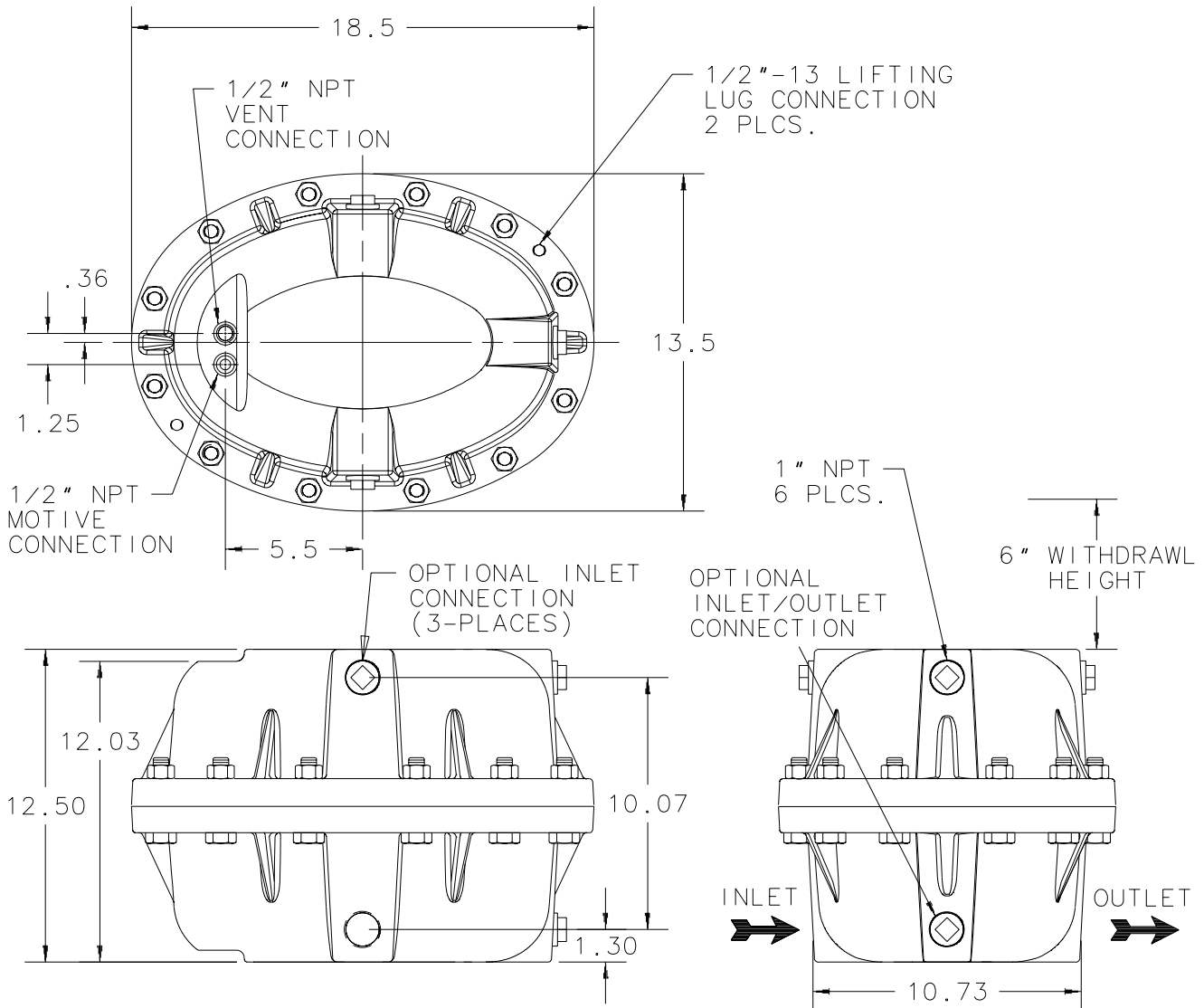
Order:


Project:

Requirements:

By:

Date:



 Armstrong Fluid Handling, Inc. Three Rivers, MI. 49093 Telephone (269) 278-6500 Fax (269) 279-3150		
Product	CDF No.	Date
PUMP TRAP PT-104	CDF 1028	10/9/02
		Rev. B