

DIMENSIONS & DATA CERTIFIED FOR:

Representative:

Order:

Customer:

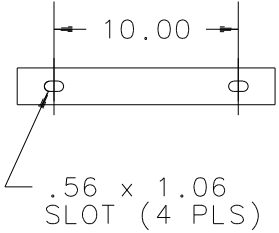
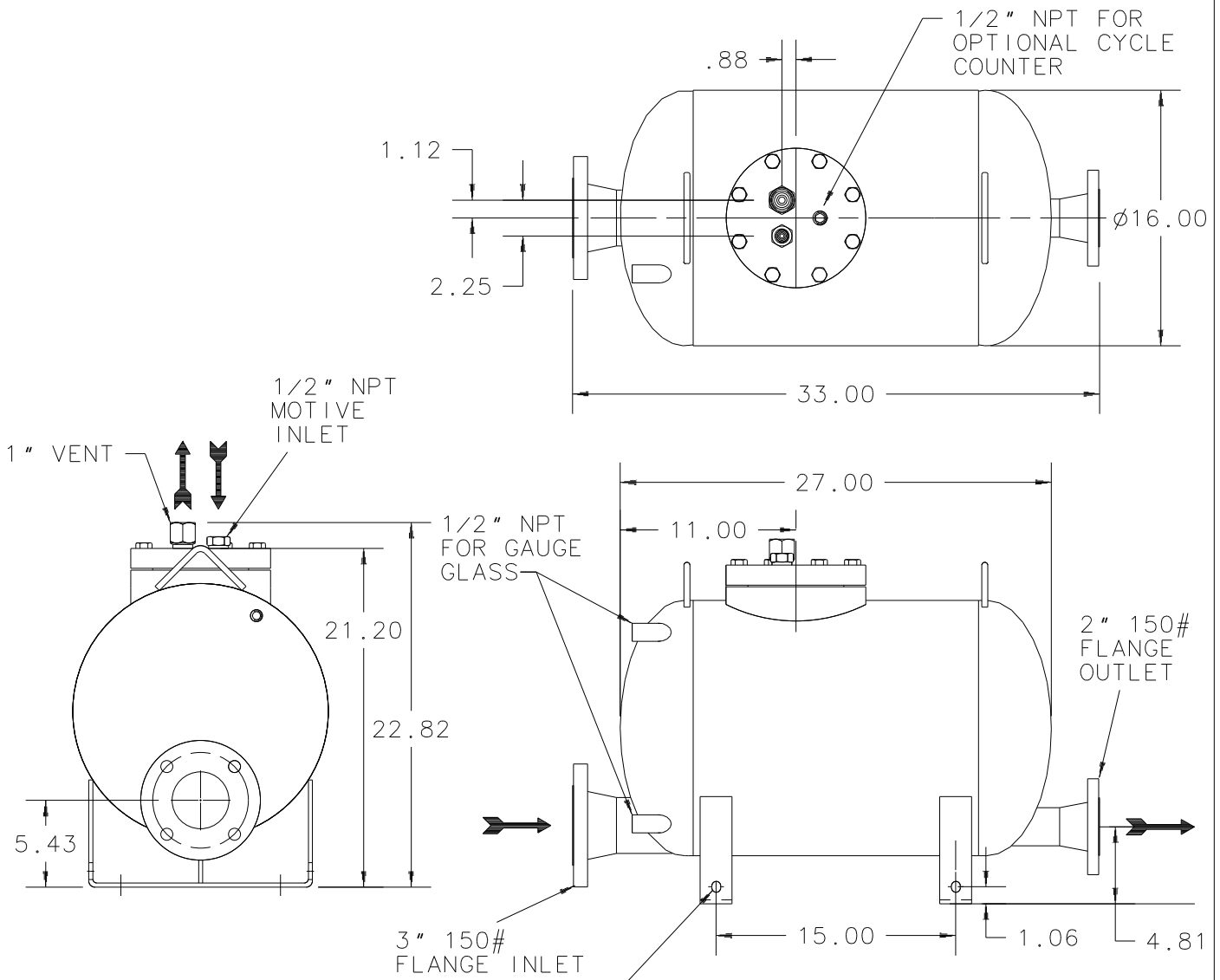
Order:

Project:

Requirements:


By:

Date:



.56" X .69" SLOT (4PLS)

(OVER)



 Armstrong Fluid Handling, Inc.
 Three Rivers, MI. 49093
 Telephone (269) 278-6500
 Fax (269) 279-3150

Product	CDF No.	Date
PUMP TRAP PT-312FL-150	CDF1015	1/18/01
		Rev. B

LIST OF MATERIALS	
NAME OF PART	MATERIAL
Shell	SA-414-G Steel
Head	SA-414-G Steel
Flange and Cover Plate	SA-516-70 Steel
Cap Gasket	Compressed Non-Asbestos
Bolts	SA-449 Steel
Inlet Valve Assembly	Stainless Steel
Vent Valve Assembly	Stainless Steel
Valve Assembly Washers	Zinc Plated Steel
Plug	Steel
Mechanism Assembly (including float)	Stainless Steel
Mechanism Springs	Inconel X-750

OPTIONS
<ol style="list-style-type: none"> 1. Check valves should be ordered as an option with the Pumping Trap. Inlet and outlet check valves are 150/300 class wafer in-line style. Carbon steel body with stainless steel internals. 2. Brass gauge glass. Maximum allowable pressure 200 psig. This exceeds Pumping Trap design of 150 psig at 425 F. 3. Cycle counter. 4. Insulation jacket.

INSTALLATION NOTES
<ol style="list-style-type: none"> 1. The appropriate size and style check valves must be installed on the supply and discharge sides of the Pumping Trap for it to operate. 2. A minimum 12" vertical filling head is recommended from the equipment drain point to the top of the pump cap. 3. Liquid flowing from the equipment being drained must be stored during the pump's discharge cycle. A liquid reservoir or vented receiver should be installed in a horizontal plane to prevent flooding of equipment.

 Armstrong Fluid Handling, Inc. Three Rivers, MI. 49093 Telephone (269) 278-6500 Fax (269) 279-3150 Posted on Armstrong's homepage www.armstrong-intl.com		
Product	CDF No.	Date
PUMPING TRAP PT-312FL-150	CDF1015	1/18/01
		Rev. B