

# DIMENSIONS & DATA CERTIFIED FOR:

Representative:

Order:

Customer:

Order:

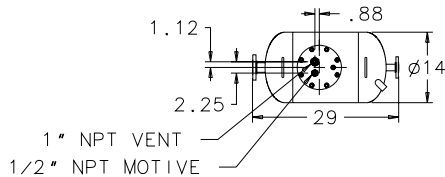
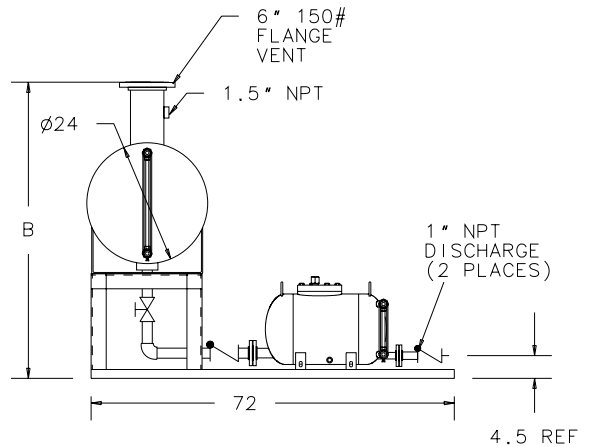
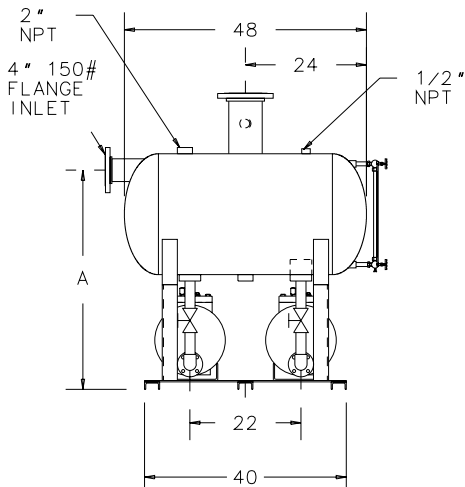
Project:

Requirements:

By:

Date:

DIMENSION	A	B
0" FILL HEAD	43	59
6" FILL HEAD	49	65
12" FILL HEAD	55	71
24" FILL HEAD	67	83



**NOTES:**

1. DRAWING SHOWS OPTIONAL GAUGE GLASSES.
2. RECEIVER ASME CODE 150 PSIG
3. RECEIVER VOLUME: APPROX. 85 GALLONS
4. FILL HEAD MUST BE SPECIFIED



Product

ENGLISH

CD No.

Date

DPT-DD6LBRP-24

WEB  
Y | N  
X

CD2042

6/26/07

Rev: A

By: Matt Mc