

DIMENSIONS & DATA CERTIFIED FOR:

Representative:

Order:

Customer:

Order:

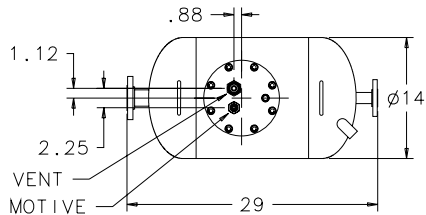
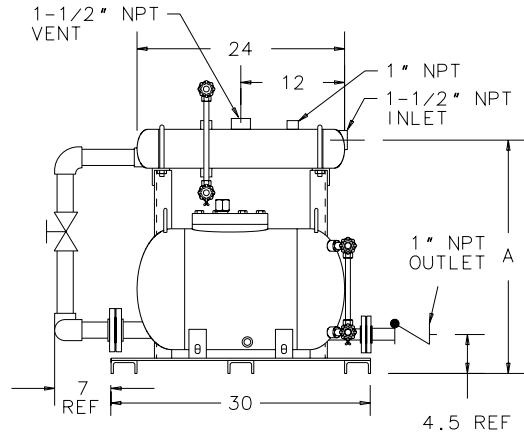
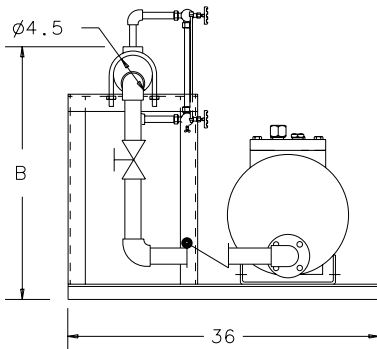
Project:

Requirements:

By:

Date:

DIMENSION	A	B
0" FILL HEAD	21	24
6" FILL HEAD	27	30
12" FILL HEAD	33	36
24" FILL HEAD	45	48



NOTES:

1. DRAWING SHOWS OPTIONAL GAUGE GLASSES.
2. RECEIVER ASME CODE 150 PSIG
3. RECEIVER VOLUME = APPROX. 1 GALLONS
4. SEE DRAWING CDF1038 FOR RECEIVER SIZING
5. FILL HEAD MUST BE SPECIFIED



Product	ENGLISH	CD No.	Date
SPT-DD6LBRP-4	WEB	CD2036	6/26/07
	YIN		
	Rev: A		By: Matt Mc