

DIMENSIONS & DATA CERTIFIED FOR:

Representative:

Order:

Customer:

Order:

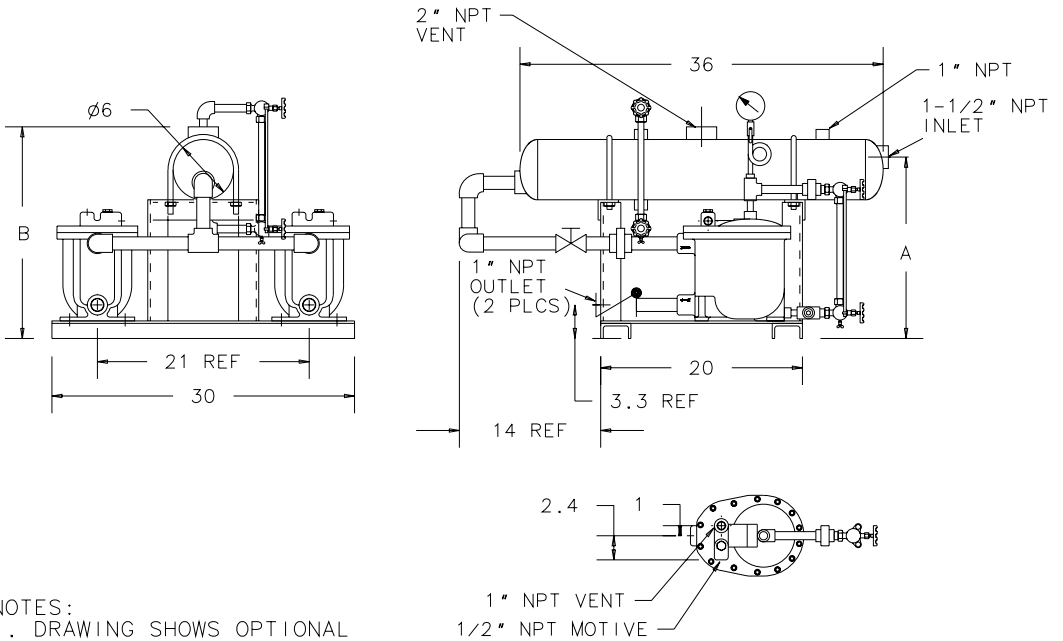
Project:

Requirements:

By:

Date:

DIMENSION	A	B
0" FILL HEAD	16	19
2" FILL HEAD	18	21
6" FILL HEAD	22	25



NOTES:

1. DRAWING SHOWS OPTIONAL GAUGE GLASSES AND PRESSURE GAUGE
2. RECEIVER ASME CODE 150 PSIG
3. RECEIVER VOLUME = APPROX. 4 GALLONS
4. SEE DRAWING CDF1038 FOR RECEIVER SIZING
5. FILL HEAD MUST BE SPECIFIED



Product	ENGLISH	CD No.	Date
DPT-DD4LBRP-6	WEB	CD2034	6/26/07
	YIN		
		Rev: A	By: Matt Mc