

DIMENSIONS & DATA CERTIFIED FOR:

Representative:

Order:

Customer:

Order:

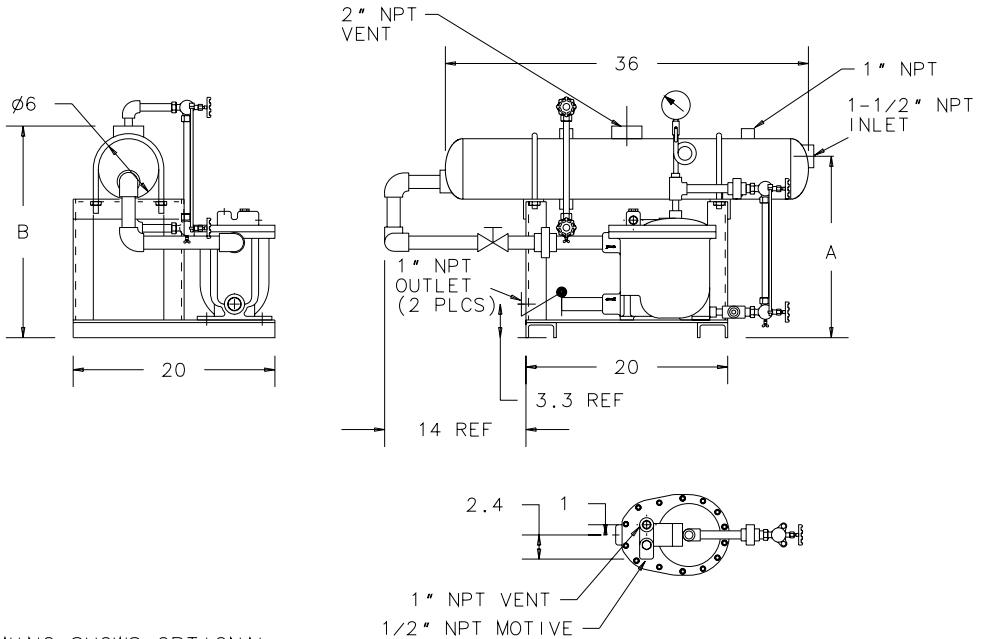
Project:

Requirements:

By:

Date:

DIMENSION	A	B
0" FILL HEAD	16	19
2" FILL HEAD	18	21
6" FILL HEAD	22	25



NOTES:

1. DRAWING SHOWS OPTIONAL GAUGE GLASSES AND PRESSURE GAUGE
2. RECEIVER ASME CODE 150 PSIG
3. RECEIVER VOLUME = APPROX. 4 GALLONS
4. SEE DRAWING CDF1038 FOR RECEIVER SIZING
5. FILL HEAD MUST BE SPECIFIED



Product

ENGLISH

CD No.

Date

SPT-DD4LBRP-6

WEB
Y/N
X

CD2033

6/26/07

Rev; A

By: Matt Mc