

DIMENSIONS & DATA CERTIFIED FOR:

Representative:

Order:

Customer:

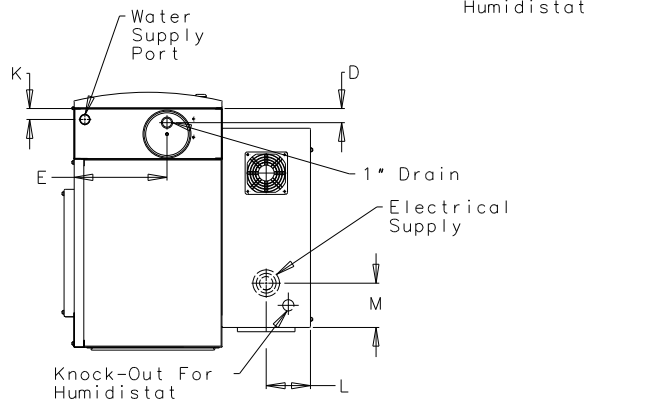
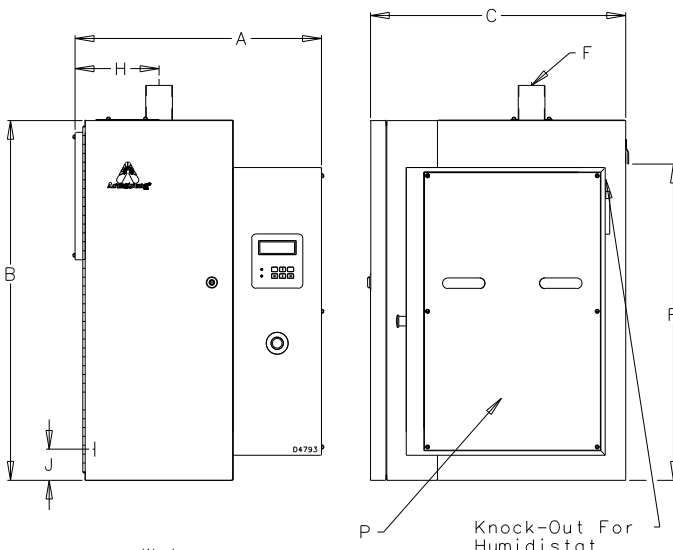
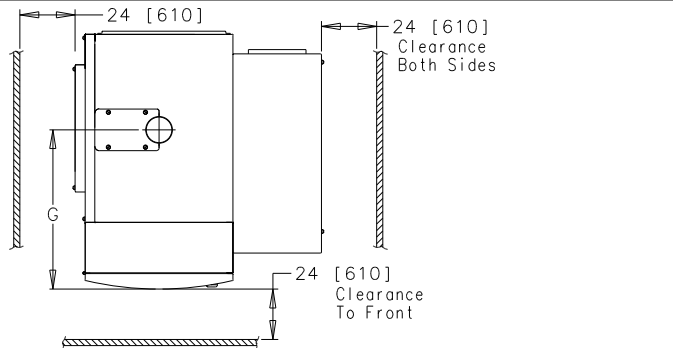
Order:

Project:

Requirements:

By:

Date:



Dimensions Are In Inches[mm]

NAME OF PART	MATERIAL
Cabinet/ Finish	16 Ga. Stl./ Power Epoxy Coat
Tank	T304 Stn. Stl.
* Ionic Bed Module	Inert Fiber
* Ionic Bed Frame	T304 Stn. Stl.
Elements	Incoloy Sheathed Std., T316 For DI/RO
Dispersion Tube	18-8 Stn. Stl.
Tank Gasket	Closed Cell Silicone
Hose Cuff	EPDM

* Not Used In DI/RO Applications

TECHNICAL INFORMATION

DESCRIPTION	HC MODEL NOS.	
	6100	6300
A Overall Width	22.28 [566]	
B Overall Height	32.50 [826]	
C Overall Length	23.09 [586]	
D Drain Outlet- Front To ϕ	1.25 [32]	
E Drain Outlet- Side To ϕ	8.41 [213]	
F Steam Discharge Tube	2.38 ϕ [60]	
G Steam Outlet - Front	14.41 [366]	
H Steam Outlet - Side	7.59 [193]	
J Supply Water - Bottom	12.81 [71]	
K Supply Water - Front	1.00 [25]	
L Electrical Supply - Side	4.00 [102]	
M Electrical Supply - Back		
N Tank Outlet Access	10.13 x 10.13 [257 x 257]	
P Electrical Access Panel	16.00 x 25.20 [406 x 640]	
R Mounting Bracket - Bottom	28.56 [726]	
Water Supply Connection	3/8 Compression Fitting	
Weights: lbs. [kgs.]		
Dry Wt.	155 [70]	
Wet Wt.	230 [105]	
Shipping Wt.	175 [80]	
EHF-3 Fan Package	33 [15]	

Capacities:

Model No.	kw Unit	Volts (Vac)	Steam Capacity		Standard Package Includes:
			lb/hr	kg/hr	
HC6100	3(Min)	240-600	8	[4]	Humidifier/Mt. Brack. & Bolts Hose Cuffs/ Hose Clamps Options:
	15(Max)		45	[20]	
HC6300	18(Min)	240-600	48	[22]	Dwyer Duct Pressure Switch <input type="checkbox"/>
	30(Max)		90	[41]	Humidistat: High Limit ON/OFF <input type="checkbox"/>
					Humidistat: High Limit MODULATING <input type="checkbox"/>
					Temp-R-Drain <input type="checkbox"/>
					Room Or Duct Humidity Transmitter <input type="checkbox"/>
					Modulating Duct High Limit Transmitter <input type="checkbox"/>
					BACNet Interoperability <input type="checkbox"/>
					LanWorks Interoperability <input type="checkbox"/>
					EHF III Fan Package <input type="checkbox"/>
					0-10 Vdc Room Or Duct Humidistat <input type="checkbox"/>

For Additional Steam Capacities, See Sheet #2.



Product
HUMIDICLEAN
HC6100/6300
SERIES

ENGLISH
WEB
Y | N
✓

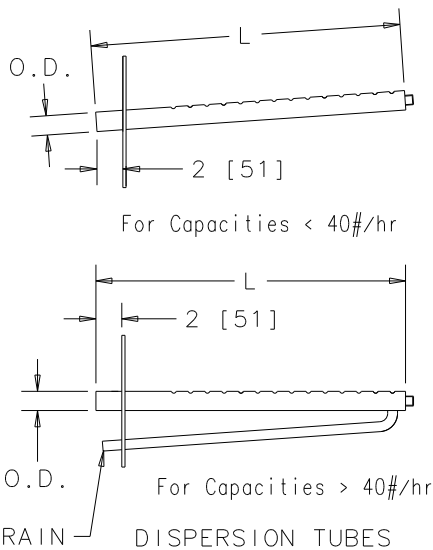
CD No.
CD1338
Rev; B

Date
12/13/07
By; paulg

Steam Capacities & Nominal Amperage Ratings

MODEL # HC6100 HC6100 DI		MODEL # HC6100/HC6100 DI				MODEL # HC6300/HC6300 DI						
VOLTAGE (VAC)	3 KW Unit		9 KW Unit		15 KW Unit		18 KW Unit		30 KW Unit			
	Nominal AMPS		Nominal AMPS		Nominal AMPS		Nominal AMPS		Nominal AMPS			
	Single Phase	Three Phase	Single Phase	Three Phase	Single Phase	Three Phase	Single Phase	Three Phase	Single Phase	Three Phase		
208	13.3	7.7	8.3[3.8]	39	22	24[11]	37	40[18]	44	48[22]	74	80[36]
240	12.9	7.5	9.0[4.1]	38	22	27[12]	36	45[20]	44	54[25]	72	90[41]
380	-	4.7		-	14		23		28		46	
480	-	3.8		-	11		18		22		36	
600	-	3.0		-	9		15		18		30	

NOTE: When unit has capacity of above 40 lb/hr [18] use steam dispersion tube with 1/2 [51] drain



Recommended Branch Circuits

NOMINAL AMP RATING	WIRE		CIRCUIT BREAKER
	AWG	[mm ²]	
1-12	14	2	15
13-15	12	4	20
16-20	10	6	25
21-24			30
25-32	8	10	40
33-40			50
41-48	6	16	60
49-64	4	25	80
65-80	3	35	100
81-100	1	50	125
101-120	0		150
121-140	00	70	175
141-160	000	95	200

SELECTING PROPER DISPERSION TUBE

MODEL # HC6100/HC6100 DI	O.D.	MODEL # HC6300 HC6300 DI	O.D.	LENGTH (L) [cm]	DUCT WIDTH		WEIGHT (LBS.) [kg] 1-1/2 O.D.	WEIGHT (LBS.) [kg] 2-3/8 O.D.
					MIN.	MAX.		
D-1	1-1/2 [38]	DL-1	2-3/8 [60]	12 [30]	11 [28]	16 [41]	2 [1]	2.7 [1.2]
D-1.5		DL-1.5		18 [46]	17 [43]	22 [56]		3.4 [1.5]
D-2		DL-2		24 [61]	23 [58]	34 [86]	4 [2]	4 [2]
D-3		DL-3		36 [91]	35 [89]	46 [117]		6 [3]
D-4		DL-4		48 [122]	47 [119]	58 [147]	5 [2.3]	8 [3.6]
D-5		DL-5		60 [152]	59 [150]	70 [178]		10 [4.5]
D-6		DL-6		72 [183]	71 [180]	82 [208]	6 [3]	12 [5.5]
D-7		DL-7		84 [213]	83 [211]	94 [239]	7 [3.2]	14 [6.4]
D-8		DL-8		96 [244]	95 [241]	106 [269]	8 [3.6]	16 [7.3]
D-9		DL-9		108 [274]	107 [272]	118 [300]	9 [4]	18 [8.2]
D-10	DL-10	120 [305]	119 [302]	130 [330]	10 [4.5]	20 [9.1]		

Dimensions Are In Inches[mm]



Product
HUMIDICLEAN
HC6100/6300
SERIES

ENGLISH
WEB
Y | N
✓

CD No.
CD1338

Date
11/6/08

Rev; B sht. 2 By; paulg

DIMENSIONS & DATA CERTIFIED FOR:

Representative:

Order:

Customer:

Order:

Project:

Requirements:

STANDARD PACKAGE INCLUDES:

- Humidifier utilizes disposable ionic bed inserts for tap water service to attract solids from boiling water. Ionic beds minimize downtime required for tank cleaning.
- Humidifier includes as standard an insulated painted tank enclosure.
- Humidifier includes SCR modulating control to provide 0% to 100% of maximum capacity. Humidifier is field adaptable to 0-10Vdc, 4-20 mA, 0-5 Vdc, or an on/off input signal.
- Humidifier includes end of season drain to empty tank during 72 hours of no demand. Tank pitched to assist with complete drainage.
- Humidifier shall utilize a thermal sensing device that senses temperature within a heating element to prevent overheating.
- Humidifier shall include a password protected programmable keypad with backlit alphanumeric display offering menu selectable diagnostics, ionic bed service life selection, and tank drain program.
- Keypad functions to include:
 - a. RH Graph of previous 30 days of trend data.
 - b. Real Time Clock
 - c. Error list log showing all previous errors experienced in past 30 days, timed stamped.
- Humidifier shall modulate fill of makeup water into tank to prevent reduction of steam output during fill cycle for consistent and responsive output of produced steam.
- A minimum tank temperature to be maintained during short periods of no demand through use of an aquastat to improve responsiveness to increases of demand.
- Humidifier includes electrical terminals for installation of controlling stat, duct high-limit stat, fan interlock switch, and Class 2 alarm device.
- Humidifier includes integral Emergency Manual Stop for quick shut down.
- Humidifier tank shall be constructed of 14 ga. 304 stainless steel and heating elements shall include an incoloy sheath for tap water service and stainless steel sheath for RO (reverse osmosis) or DI (deionized) water.
- Humidifier is interoperable through native MODBUS communications protocol. Upon request, humidifier may be supplied interoperable through BACnet or LonWorks communications protocol.

TUV Certification

OSHA requires certification by an NRTL (Nationally Recognized Testing Laboratory) and TUV Rheinland of North America, like UL and ETL, is one NRTL. The Armstrong HumidiClean Series HC-6000 was tested in accordance with the standards found in UL 998 by TUV and carries the cTUVus listing for North America as well as the CE listing for Europe.

The cTUVus indicates that the equipment has been exposed to rigorous testing and evaluation and is found to comply with relevant standards. In other words, the equipment is found to be safe as per definition of the relevant standard.



Product	ENGLISH	CD No.	Date
HUMIDICLEAN HC6100/6300 SERIES	WEB Y N ✓	CD1338	9/29/06
		Rev; A Sht. 3	By; paulg