

DIMENSIONS & DATA CERTIFIED FOR:

Representative:

Order:

Customer:

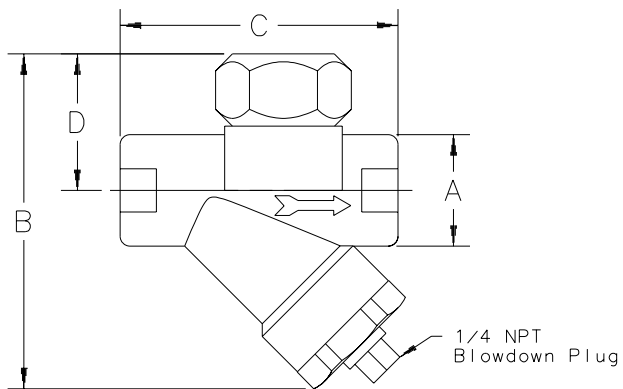
Order:

Project:

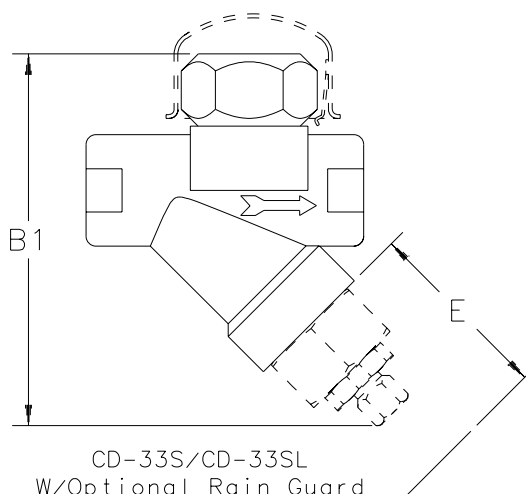
Requirements:

By:

Date:



CD-33S
CD-33SL (Low Capacity)

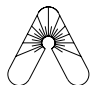


CD-33S/CD-33SL
W/Optional Rain Guard
and Blowdown Valve

Pipe Connection (NPT Only)	1/2 [DN15]	3/4 [DN20]	1" [DN25]
"A" Body Dia.	1-7/16" [37mm]	1-3/4" [44mm]	1-3/4" [44mm]
"B" Height	4-1/4" [108mm]	4-9/16" [116mm]	4-9/16" [116mm]
"B1" Height w/Blowdown	4-3/4" [121mm]	5-1/32" [128mm]	5-1/32" [128mm]
"C" Length	3-9/16" [90mm]	4-1/8" [105mm]	4-1/8" [105mm]
"D" ϕ to top of cap	1-3/4" [44mm]	2-1/32" [52mm]	2-1/32" [52mm]
"E" Withdrawal Distance	3-1/2" [89mm]	3-1/2" [89mm]	3-1/2" [89mm]
Maximum Allowable Pressure	915 psig at 752°F (63 bar at 400°C)		
Minimum Operating Pressure	3.5 psig (0.24 bar)		
Maximum Operating Pressure	600 psig at 752°F (41 bar at 400°C)		
Weight	1.41 lb. [.64 kg]	2.2 lb. [1.0 kg]	

NOTE: CD-33SL available in 1/2 & 3/4 connections only.

NAME OF PART	MATERIAL
Cap & Body	ASTM A743 GR. CA40
Disc	ASTM A276 GR. 420
Strainer Screen	30 x 30 Mesh 304 Stn. Stl.
Screen Retainer	ASTM A743 Gr. CA40
Blowdown Plug	Carbon Steel
Rain Guard (Optional)	Stainless Steel
Rain Guard Insul. (Optional)	Fiberglass
Blowdown Valve (Optional)	Stainless Steel



Armstrong International, Inc.
Three Rivers Division
Three Rivers, MI 49093
Armstrong (616) 273-1415 Fax(616) 273-9500
Posted on Armstrong's homepage www.armstrong-intl.com

Product	CD No.	Date
TRAP CD-33S CD-33SL	1250	01/03/02
		Rev. A