

DIMENSIONS & DATA CERTIFIED FOR:

Representative:

Order:

Customer:

Order:

Project:

Requirements:

By:

Date:

LIST OF MATERIALS:

NAME OF PART	MATERIAL
CAP & BODY	ASTM A167 T304L SS
MECHANISM SUPPORT	ASTM A479 T304 SS
VALVE SEAT/VALVE	17-4 PH
BUCKET	ASTM A167 T304 SS
RETAINER, VALVE	ASTM A167 T302 SS
LEVER	CARPENTER 20Cb-3 SS
GUIDE PLATE ASS'Y	ASTM A240 T304 SS
PLUG, PIPE	CARBON STEEL

TECHNICAL INFORMATION

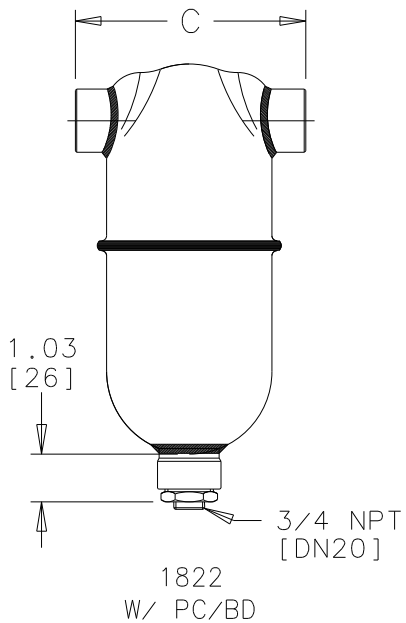
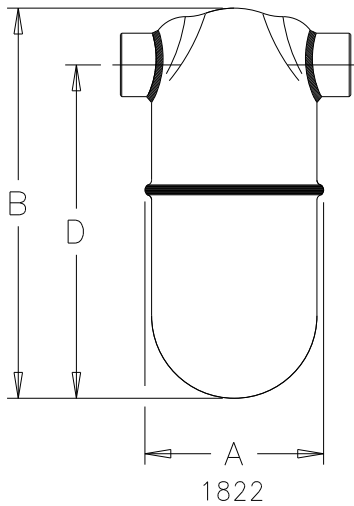
MODEL NO.	1822 & 1822 W/ PC/BD	
CONNECTIONS	1/2 [DN15]	1" [DN25]
	3/4 [DN20]	
"A" (BODY DIAMETER)	3-7/8 [98]	
"B" (HEIGHT)	8-7/16 [214]	
"C" (FACE TO FACE)	5 [127]	
"D" (BOTTOM TO ϕ INLET)	7-1/4 [184]	7-1/16 [179]
WEIGHT	W/OUT PC/BD	4 lbs [2 kgs]
	W/ PC/BD	5-1/2 lbs [140 kgs]
		4-1/2 lbs [2.4 kgs]
		6 lbs [152 kgs]

OPTIONS:

CONNECTIONS - NPT, BSPT OR SW	
NPT	<input type="checkbox"/>
BSPT	<input type="checkbox"/>
SW	<input type="checkbox"/>

DESIGN INFORMATION

MAXIMUM ALLOWABLE PRESSURE (VESSEL DESIGN)	650 psig at 600°F [45 bar at 315°C]
MAXIMUM OPERATING PRESSURE	650 psig [45 bar]



Dimensions Are In Inches [mm]



Armstrong International, Inc.
Three Rivers Division
Three Rivers, MI 49093

Armstrong (269) 273-1415 Fax(269) 278-6555
Posted on Armstrong's homepage www.armstronginternational.com

Product	CD No.	Date
TRAP 1822 1822-PC/BD	1205	4/30/02
	Rev; B	By; Paul G.